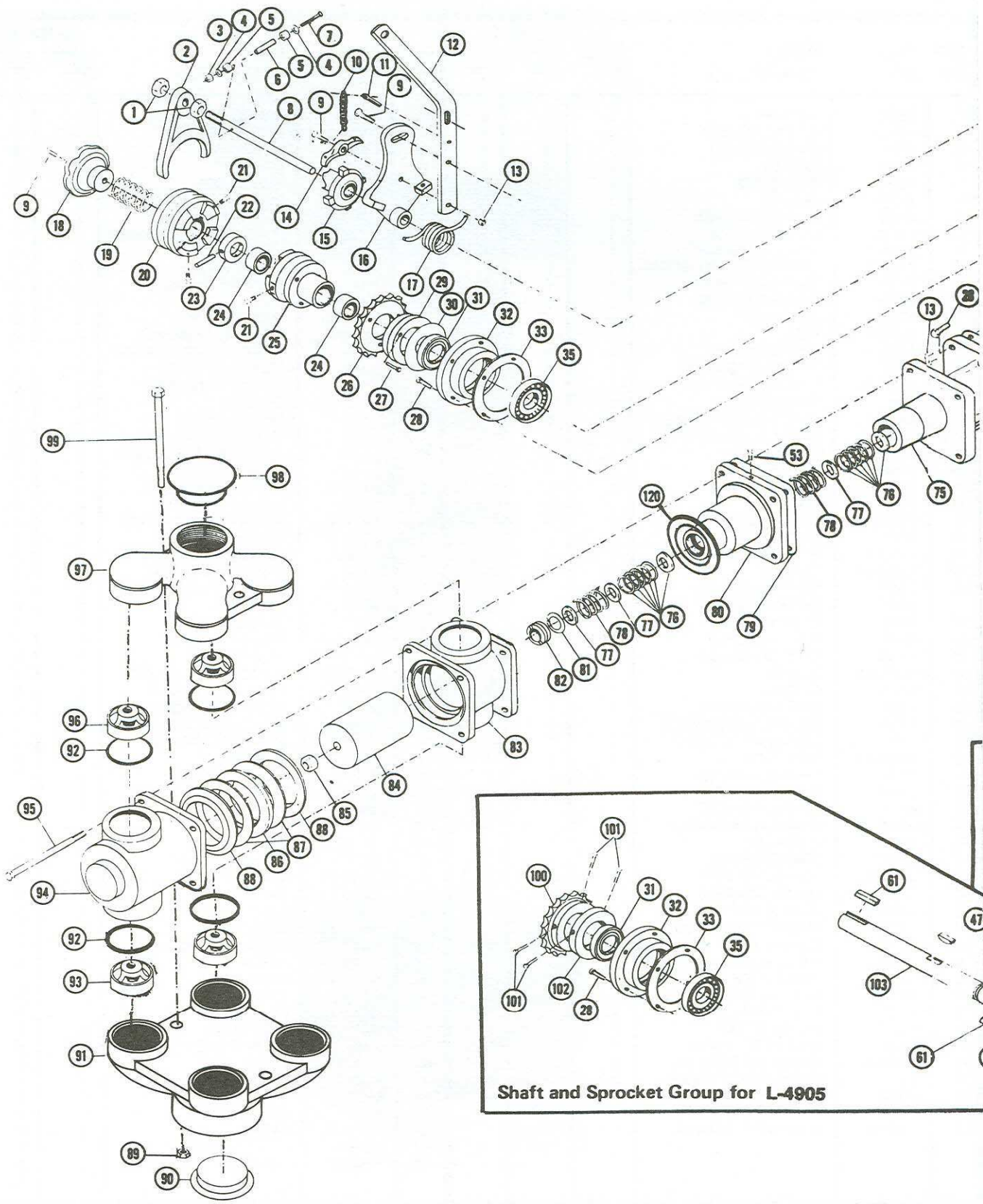


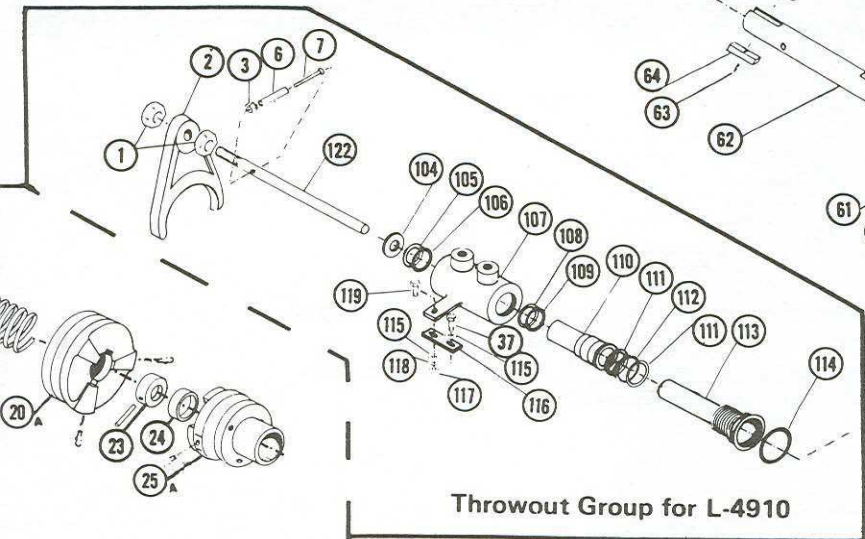
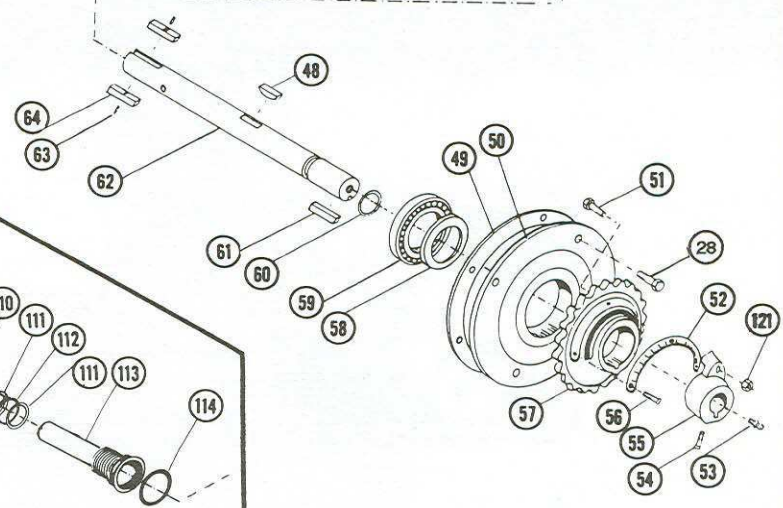
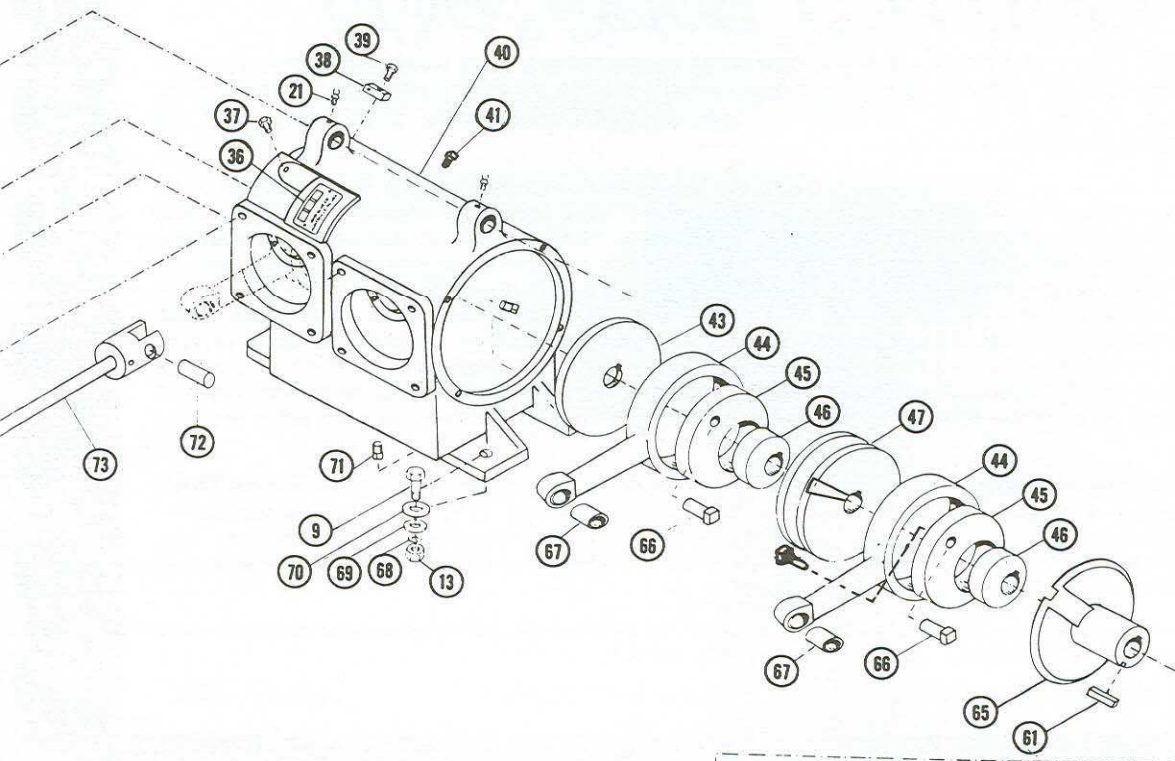
L-4900 SERIES PUMP PARTS LIST

PARTS FOR L-4900, L-4905, L-4910

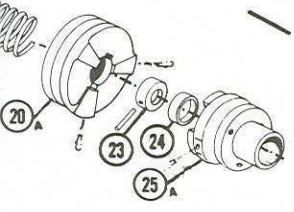
REF. NO.	PART NO.	ITEM DESCRIPTION	L-4900 SERIES			REF. NO.	PART NO.	ITEM DESCRIPTION	L-4900 SERIES		
			L-4900 QTY	L-4905 QTY	L-4910 QTY				L-4900 QTY	L-4905 QTY	L-4910 QTY
1	92037	5/8" JAM NUT	2	0	2	60	L-1022	CRANKSHAFT O'RING	1	1	1
2	L-3065	THROW-OUT YOKE	1	0	1	61	L-1020	SETTING ARM KEY	2	3	2
3	92014	#10 SQUARE NUT	1	0	1	62	L-3013	CRANKSHAFT	1	0	1
4	A-697	WASHER	2	0	2	63	A-3314	KEY PIN	2	0	2
5	A-2762	CAM ROLLER	2	0	0	64	A-261	SQUARE KEY	2	0	2
6	A-2763	ROLL PIN	1	0	1	65	L-3056	STROKE LOCATING SLV.	1	1	1
7	90953	2 1/4 RD HD SCREW	1	0	1	66	L-3004	ECCENTRIC PIN	3	3	3
8	L-3006	THROW-OUT ROD	1	0	0	67	L-1065	CONNECTOR ROD BUSHING	2	2	2
9	90655	3/8 X 1 1/2 HEX BOLT	6	4	5	68	93024	3/8 LOCK WASHER	4	4	4
10	F-48	THROW-OUT LEVER SPRING	1	0	0	69	93011	3/8 FLAT WASHER	4	4	4
11	94010	5/32 X 1 COTTER PIN	1	0	0	70	A-147	LEG MOUNTING PAD	4	4	4
12	L-3064	THROW-OUT LEVER	1	0	0	71	C-431-B	PLUG	3	3	3
13	92024	3/8 HEX NUT	11	10	10	72	105895-01	CROSSHEAD PIN	2	2	2
14	A-2758-A	PAWL	1	0	0	73	105900-91	PISTON ROD ASSEMBLY	2	2	2
15	A-2757-A	THROW-OUT CAM	1	0	0	74	L-3052	CROSSHEAD GDE. GASKET	2	2	2
16	L-3007	THROW-OUT BRACKET	1	0	0	75	L-4022	CROSSHEAD GUIDE	2	2	2
17	L-3076-R	R H TORSION SPRING	1	0	0	76	L-1109	ROD VEE PACKING SET	4	4	4
18	A-50	HANDWHEEL	1	0	1	77	L-1041	WASHER	6	6	6
19	HA-57	SAFETY CLUTCH SPRING	1	0	0	78	L-1063	PACKING SPRING	4	4	4
19A	108907-01	SAFETY CLUTCH SPRING	0	0	1	79	L-3074	STUFFING BOX GASKET	2	2	2
20	A-260	CLUTCH	1	0	0	80	L-3049	OUTBOARD STUFFING BOX	2	2	2
20A	108905-91	CLUTCH	0	0	1	81	L-1042	RETAINING RING	2	2	2
21	H-28	GREASE FITTING	5	2	5	82	L-1031-2	STUFFING BOX INSERT	2	2	2
22	L-4249	DRIVE PIN	1	0	1	83	L-3055	INBOARD CYLINDER	2	2	2
23	105373-01	CLUTCH COLLAR	1	0	1	84	112816-91	PISTON PLUNGER AS'MBLY	2	2	2
24	A-116	OILITE BUSHING	2	0	2	85	L-1047	SELF-LOCKING NUT	2	2	2
25	L-4008-A	CARRIER	1	0	0	86	L-1044	FLANGE PACKING WASHER	2	2	2
25A	108906-01	CARRIER	0	0	1	87	L-1098	PACKING ADJ. GASKET	4	4	4
26	L-4006	16T SPROCKET (OR)				88	L-1045-V	FLANGE PLUNGER PACKING	4	4	4
	L-4007	18T SPROCKET	1	0	1	89	92029	1/2 HEX NUT	2	2	2
27	90993	1/4 X 1 1/2 BOLT	3	0	3	90	C-3519	1/2 PLASTIC PLUG	1	1	1
28	90637	5/16 X 1 HEX BOLT	16	16	16	91	105899-02	SUCTION MANIFOLD	1	1	1
29	L-4009	RETAINING COLLAR	1	0	1	92	L-3031	VALVE O'RING	8	8	8
30	110155-01	WASHER	1	1	1	93	106489-92	SUCTION VALVE ASSEMBLY	4	4	4
31	L-1018	OIL SEAL	1	1	1	94	L-3045	OUTBOARD CYLINDER	2	2	2
32	L-3023	BEARING HOUSING	1	1	1	95	90669	3/8 X 5 1/2 HEX BOLT	8	8	8
33	L-3021	BEARING H'SING CASKET	1	1	1	96	106490-92	DISCHARGE VALVE ASSEMBLY	4	4	4
35	L-3019	CRANKSHAFT BEARING	1	1	1	97	L-3027-A	DISCHARGE MANIFOLD	1	1	1
36	105901-01	NAME PLATE	1	1	1	98	L-3115	PLASTIC PLUG	1	1	1
37	90634	5/16 X 1/2 HEX BOLT	1	2	2	99	90708	1/2 X 7 1/2 HEX BOLT	2	2	2
38	L-4014	SPRING ANCHOR	1	0	0	100	106532-01	SPROCKET	0	1	0
39	90636	5/16 X 3/4 HEX BOLT	1	0	0	101	90986	3/8 X 5/8 SCREW	0	4	0
40	L-3025	CRANKCASE ASSEMBLY	1	1	1	102	110147-01	SPACER	0	1	0
41	S-350	VENT PLUG	1	1	1	103	106533-01	CRANKSHAFT	0	1	0
43	L-3020	CRANKSHAFT DISC	1	1	1	104	93016	SAE FLAT WASHER	0	0	1
44	L-3026-A	CONNECTING ROD	2	2	2	105	105448-01	BACK UP RING	0	0	1
45	L-3016	LARGE ECCENTRIC	2	2	2	106	A-3776	O'RING	0	0	1
46	L-3017	SMALL ECCENTRIC	2	2	2	107	105447-01	BODY	0	0	1
47	L-3018	STROKE TRANSFER SLV.	1	1	1	108	105452-01	BACK-UP RING	0	0	1
48	A-4333	#808 WOODRUFF KEY	2	2	2	109	105461-01	PISTON ROD O'RING	0	0	1
49	L-3002	COVER PLATE GASKET	1	1	1	110	105449-01	PISTON	0	0	1
50	L-3001	COVER PLATE	1	1	1	111	105462-01	BACK-UP RING	0	0	2
51	91017	3/8 X 1 3/4 SQ HEAD BOLT	1	1	1	112	A-2849	O'RING	0	0	2
52	L-1002	PUMP SETTING SCALE	1	1	1	113	105463-01	CYLINDER	0	0	1
53	H-30	GREASE FITTING	3	3	3	114	105500-01	BODY O'RING	0	0	1
54	90532	5/16 X 3/8 SET SCREW	3	3	3	115	93010	5/16 FLAT WASHER	0	0	4
55	105933-91	STROKE SETTING ARM	1	1	1	116	105501-01	STRAP	0	0	2
56	A-368	SETTING SCALE SCREW	3	3	3	117	92020	5/16 HET NUT	0	0	2
57	105932-91	STROKE SETTING FLANGE	1	1	1	118	93023	5/16 LOCK WASHER	0	0	4
58	L-1021	OIL SEAL	1	1	1	119	90635	HEX HEAD BOLT	0	0	2
59	L-1007-A	CRANKSHAFT BEARING	1	1	1	120	L-3035	GASKET	2	2	2
						121	A-3097	SELF-LOCKING NUT	1	1	1
						122	113456-01	THROW-OUT ROD	0	0	1



Shaft and Sprocket Group for L-4905



Throttle Group for L-4910



Clutch Group for L-4910