

3-Way Polypropylene Ball Valves

STANDARD FEATURES:

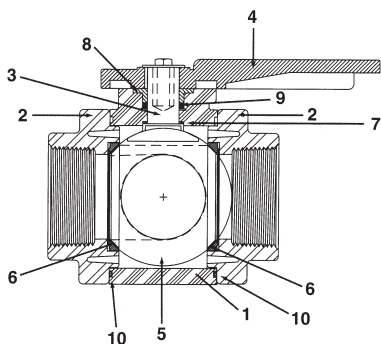
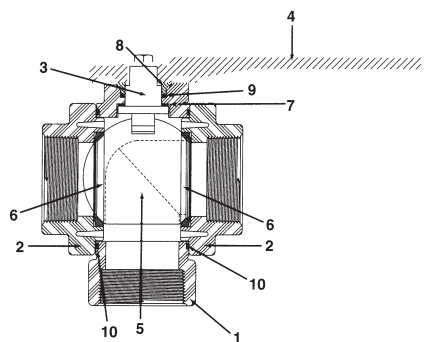
- Stainless Steel Bolts • Precision molded in polypropylene. Polypropylene is reinforced with fiber-glass for additional strength • Self-aligning ball moves freely against the PTFE seats for smooth operation • Ball is diamond tuned, after molding, to make it spherically perfect, which provides precise contact between ball and seats • FKM (viton) seats • PTFE self-lubricating stem bushings and seats • Maximum operating pressure 100 psi



Bottom Load: Directional flow, right or left. Valve can be turned off to stop flow.



Side Load: Directional flow, right or left. Valve cannot be turned off.



3-Way Polypropylene Ball Valves

DESCRIPTION	Parts #
Valve, ball, 3-way bottom load, 3/4"	BAV075BL
Valve, ball, 3-way side load, 3/4"	BAV075SL
Valve, ball 3-way bottom load, 1"	BAV100BL
Valve, ball, 3-way side load, 1"	BAV100SL
Valve, ball, 3-way bottom load, 1 1/4"	BAV125BL
Valve, ball, 3-way. side load, 1 1/4"	BAV125SL
Valve, ball, 3-way bottom load, 1 1/2"	BAV150BL
Valve, ball, 3-way side load, 1 1/2"	BAV150SL
Valve, ball, 3-way bottom load, 2"	BAV200BL
Valve, ball, 3-way side load, 2"	BAV200SL

Replacement Parts Bottom Load 3-Way Valves

ITEM	DESCRIPTION	PART # BAV 075BL & 100BL	PART # BAV 125BL & 150BL	PART # BAV-200BL
1	Valve body	3/4" BAV07354B	1 1/4" BAV20344B	2" BAV25354B
1	Valve body	1" BAV10354B	1 1/2" BAV20354B	
2	End plate	3/4" BAV07357	1 1/4" BAV20267	2" BAV25356
2	End plate	1" BAV10257	1 1/2" BAV20257	
3	Stem	BAV10151A	BAV20151M	BAV25151B
4	Handle	BAV10353TB*	BAV20353TB*	BAV25353B**
5	Ball	BAV10355B	BAV20355B	BAV25355B
6	Ball seats	BAV10258	BAV20258	BAV25258
7	Thrust bushing	BAV10060	BAV20060	BAV25060
8	Upper stem bushing	BAV10159	BAV20159	BAV25160
9	Stem O-ring FKM (viton)	BAV10163	BAV20163	BAV25163
10	Valve body O-ring FKM (viton)	BAV10264	BAV20264	BAV25264

Replacement Parts Side Load 3-Way Valves

ITEM	DESCRIPTION	PART # BAV 075SL & 100SL	PART # BAV 125SL & 150SL	PART # BAV-200SL
1	Valve body	3/4" BAV07354S	1 1/4" BAV20344S	BAV25354S
1	Valve body	1" BAV10354S	1 1/2" BAV20354S	
2	End plate	3/4" BAV07357	1 1/4" BAV20267	BAV25356
2	End plate	1" BAV10257	1 1/2" BAV20257	
3	Stem	BAV10151A	BAV20151M	BAV25151B
4	Handle	BAV10153A**	BAV20353TS*	BAV25153SH**
5	Ball	BAV10355S	BAV20355S	BAV25355S
6	Ball seats	BAV10258	BAV20258	BAV25258
7	Thrust bushing	BAV10060	BAV20060	BAV25060
8	Upper stem bushing	BAV10159	BAV20159	BAV25160
9	Stem O-ring - FKM - (viton)	BAV10163	BAV20163	BAV25163
10	Valve body O-ring - FKM (viton)	BAV10264	BAV20264	BAV25264