

Polypropylene 4 Bolt Ball Valves

STANDARD FEATURES:

- Precision molded polypropylene is reinforced with fiberglass for additional strength
- Self-aligning ball moves freely against the PTFE seats for smooth operation. The valve opens and closes with very little pressure on the handle
- Ball is diamond tuned, after molding, to make it spherically perfect, which provides precise contact between ball and seats
- PTFE self-lubricating stem bushings and seats cannot stick or bind
- 150 max. psi
- Stainless steel bolts
- FKM (Viton type) seals
- 100% PTFE seats



Polypropylene 4 Bolt Ball Valves

DESCRIPTION	Parts #
Valve, ball, 1/2"	BAV050
Valve, ball, 3/4"	BAV075
Valve, ball, 1"	BAV100
Valve, ball, full port, 1"	BAV100FP
Valve, ball, 1 1/4"	BAV125
Valve, ball, full port, 1 1/4"	BAV125FP
Valve, ball, 1 1/2"	BAV150
Valve, ball, 2"	BAV200

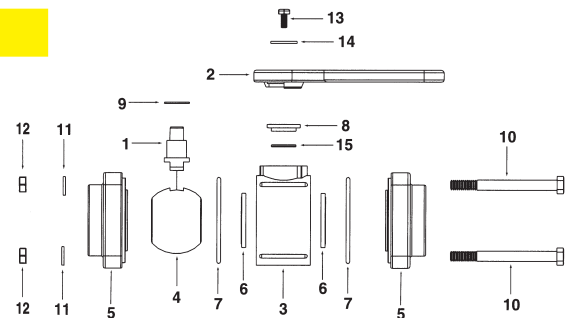
*Valve Repair Kits Contain Items Marked With Asterisk:

1 ball	2 body O-rings	1 thrust washer
2 ball seats	1 upper stem bushing	1 stem O-ring

Locking Device

STANDARD FEATURES:

- Stainless steel construction
- Installs under valve handle
- Comes complete with handle & locking device (padlock not included)
- Available for V125FP, V150 & V200



Replacement Parts

ITEM	DESCRIPTION	PART # FOR BAV050-075-100	PART # FOR BAV100FP-125	PART # FOR BAV125FP-150-200
1	Stem	BAV07151A	BAV10151A	BAV20151M
2	Handle	BAV10153A	BAV10153A	BAV20153
2	T-Handle			BAV20353T
N/S	1 1/8" plug for T-handle (cap plug)			BAV20353C
3	Valve body	BAV07254	BAV10254	BAV20254
4	Valve ball	*BAV07255	*BAV10255	*BAV20255A
5	End plate	1/2" BAV05256	1 1/4" BAV10256	1 1/2" BAV20257
5	End plate	3/4" BAV07257		2"BAV20256
5	End plate	1" BAV07256		
5	End plate (full port)		1" BAV10257	1 1/4" BAV20267
6	Ball seat	*BAV07258A	*BAV10258A	*BAV20258A
7	Valve body O-ring FKM (viton type)	*BAV07264	*BAV10264	*BAV20264
8	Upper stem bushing	*BAV07159	*BAV10159	*BAV20159
9	Thrust washer	*BAV07060	*BAV10060	*BAV20060
10	S.S. body bolt	1/4"x3" BAV07017	5/16"x3 1/2" BAV10117	3/8"x4" BAV20017
11	S.S. lock washer	1/4" BAV07018	5/16" BAV10118	3/8" BAV20018
12	S.S. nut	1/4" BAV07019	5/16" BAV10119	3/8" BAV20019
13	S.S. handle bolt	#10x3/4" BAV10020A	#10x3/4" BAV10020A	1/4"x1/2" BAV20020
14	S.S. handle washer	BAV07021A	BAV07021A	BAV20021
15	Stem O-ring FKM (viton type)	*BAV07163	*BAV10163	*BAV20163
N/S	Valve repair kit	BAV07200	BAV10200	BAV20200