



Polypropylene 6 Bolt Ball Valves

STANDARD FEATURES:

- FKM (viton type) seals • PTFE self-lubricating stem bushings and seats cannot stick or bind
- Precision molded in polypropylene. Polypropylene is reinforced with fiberglass for additional strength
- Self-aligning ball moves freely against the PTFE seats for smooth operation. The valve opens and closes with very little pressure on the handle
- Ball is diamond tuned, after molding, to make it spherically perfect, which provides precise contact between ball and seats
- 150 max. psi on 2", 100 max. psi on 3" and 75 max. psi on 4"
- Stainless steel bolts • 100% PTFE seats

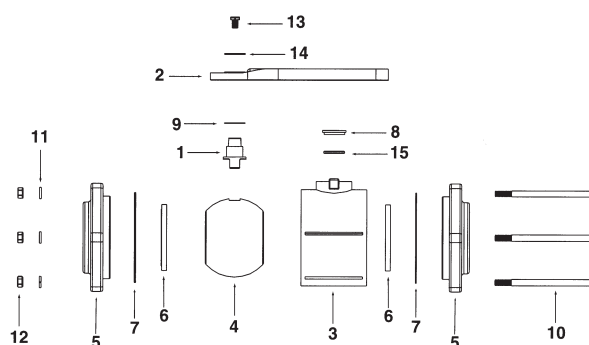
Polypropylene 4 Bolt Ball Valves

DESCRIPTION	Parts #
Valve, ball, full port, 2"	BAV200FP
Valve, ball, 3"	BAV300
Valve, ball, full port, 3"	BAV300FP
Valve, ball full port, 4"	BAV400

Locking Handle

STANDARD FEATURES:

- Stainless steel hardware
- Locks in open and closed positions
- Locking handle replaces standard handle (padlock not included)
- Available for V200FP, V300, V300FP & V400



*Valve Repair Kits Contain Items Marked With Asterisk:

1 ball	2 body O-rings	1 thrust washer
2 ball seats	1 upper stem bushing	1 stem O-ring

Replacement Parts

ITEM	DESCRIPTION	PART # FOR BAV200FP	PART # FOR BAV300	PART # FOR BAV300FP	PART # FOR BAV400
1	Stem	BAV25151B	BAV25151B	BAV25151B	BAV25151B
2	Handle	BAV25153	BAV25153	BAV25153	BAV25153
2	Short Handle for VFMT200FPSH	BAV25153SH			
3	Valve body	BAV25254	BAV30254	BAV35254	BAV40254
4	Valve ball	*BAV25255A	*BAV30255	*BAV35255A	*BAV40255
5	End plate 2" Female NPT	BAV25256			
5	End plate 2" Male NPT	BAVMT25256			
5	End plate 2" Male adapter	BAVF25256			
5	3" End plate		BAV30264	3" FP BAV35264	
5 & 6	End plate w/PTFE ball seat				BAV40264
6	Ball seat	*BAV25258A	*BAV30258A	*BAV35258A	
7	Valve body O-ring FKM (viton type)	*BAV25264	*BAV30265	*BAV35265	*BAV40265
8	Upper stem bushing	*BAV25160	*BAV25160	*BAV25160	*BAV25160
9	Thrust washer	*BAV25060	*BAV25060	*BAV25060	*BAV25060
10	3/8" S.S. body bolt	4 1/2" BAV25017	5" BAV30017	6" BAV35017	7 1/2" BAV40017
11	3/8" S.S. lock washer	BAV20018	BAV20018	BAV20018	BAV20018
12	3/8" S.S. nut	BAV20019	BAV20019	BAV20019	BAV20019
13	3/8" x 1/2" S.S. handle bolt	BAV25020	BAV25020	BAV25020	BAV25020
14	S.S. handle washer	BAV25121	BAV25121	BAV25121	BAV25121
15	Stem O-ring FKM (viton type)	*BAV25163	*BAV25163	*BAV25163	*BAV25163
N/S	Valve repair kit	BAV25200	BAV30200	BAV35200	BAV40200