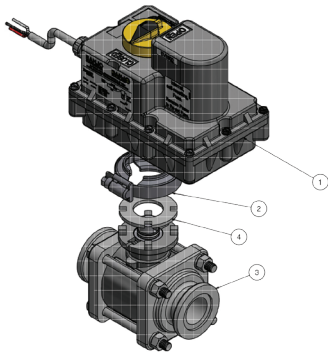
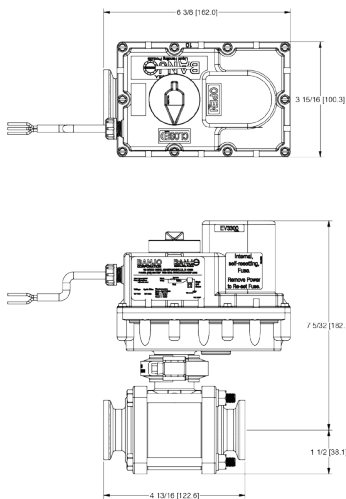
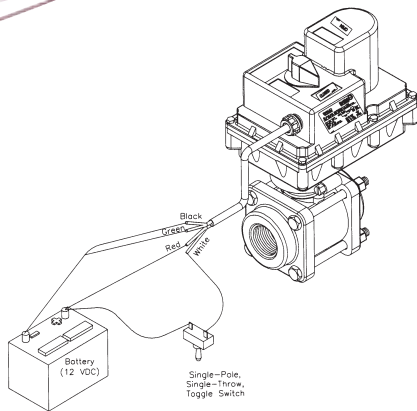


## Banjo Electric Valves



### STANDARD FEATURES:

- 316 stainless steel ball & stem
- Stainless steel hardware
- Fiberglass reinforced polypropylene
- Glass reinforced PTFE seats
- FKM (viton type) or EPDM O-rings
- 12-volt DC operated
- 150 PSI maximum pressure
- Easily repairable
- Open/closed indicator



### Banjo On/Off Electric Valve

DESCRIPTION	PART #
1" Manifold electric valve	BAMEV100CF
2" Manifold electric valve	BAMEV200CF

### Banjo Replacement Parts For: EV075, EV100FP, EVR075, EVR100FP, EVR125

ITEM	DESCRIPTION	PART #
1	4 Sec, 3 Wire, EV Actuator Assy	BAEV3300 3
2	1" HI TORQUE CLAMP	BAFC100
3	1" Manifold Valve SubAssy	BAMEV100XR1
4	MVE Mounting Breather	BAMVE004

### Replacement Parts for 2" Valve

DESCRIPTION	PART #
2" Electric Manifold valve – no motor	BAMEV200XR1
Valve breather/weep hole filter	BAMVE004
100 series clamp	BAFC100
Electric valve actuator	BAEV4300