

Strainers

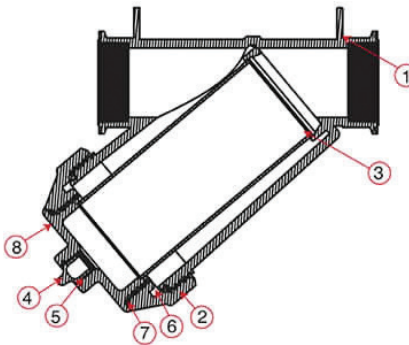
3" Poly Ribbed Stainless Steel Line Strainer - Threaded



STANDARD FEATURES:

- ½" drain plug in bottom of cap.
- 3" female NPT thread
- 75 P.S.I. maximum
- Constructed of glass filled polypropylene
- High volume
- Lightweight
- Reinforced 304 stainless steel screen

DESCRIPTION	PART #
3" Poly Ribbed Strainer 4 mesh	BALSM30004
3" Poly Ribbed Strainer 8 mesh	BALSM30008
3" Poly Ribbed Strainer 12 mesh	BALSM30012
3" Poly Ribbed Strainer 20 mesh	BALSM30020
3" Poly Ribbed Strainer 50 mesh	BALSM30050



Replacement Parts for the BALSM300 Poly Ribbed Strainer

ITEM	DESCRIPTION	PART#
1	3" Poly Body	BAMLS300B1
2	3" Cap	BAMLS300CAP
3	Mesh Screen – specify	BALS30 – specify
4	¼" Clean Out Plug	BA13777
5	EPDM O-Ring Clean Out Plug	BA13778
6	EPDM Cap Gasket	BAMLS300G
6	FKM (viton type) Cap Gasket	BAMLS300GV
7	EPDM End Cap Gasket	BAMLS300ECG
7	FKM (viton type) Cap Gaske	BAMLS300ECGV
8	End Cap Only (Plug Sold Separately)	BALS300EC

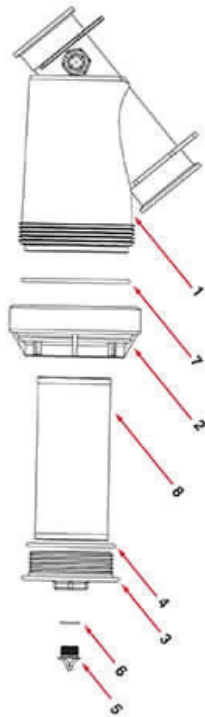
Manifold "Y" Line Strainer



STANDARD FEATURES:

- 100 P.S.I. maximum working pressure
- 304 stainless steel screens.
- EPDM gaskets

DESCRIPTION	PART #
3" Manifold line strainer 8 mesh	BAMLS30008
3" Manifold line strainer 12 mesh	BAMLS30012
3" Manifold line strainer 20 mesh	BAMLS30020
3" Manifold line strainer 50 mesh	BAMLS30050



Replacement Parts for the BALSM300 Poly Ribbed Strainer

ITEM	DESCRIPTION	PART#
1	3" Flanged Y Strainer Body	MLS300B
2	3" Flanged Y Strainer Cap	MLS300CAP
3	3" End Cap	LS300EC
4	3" EPDM End Cap Gasket	MLS300ECG
4	3" FKM (viton type) End Cap Gasket	MLS300ECGV
5	3" End Cap Plug	13777
6	3" End Cap Plug Gasket	13778
7	3" EPDM Cap Gasket	MLS300G
7	3" FKM (viton type) Cap Gasket	MLS300GV
8	SS Mesh Screen – specify	LS3- specify