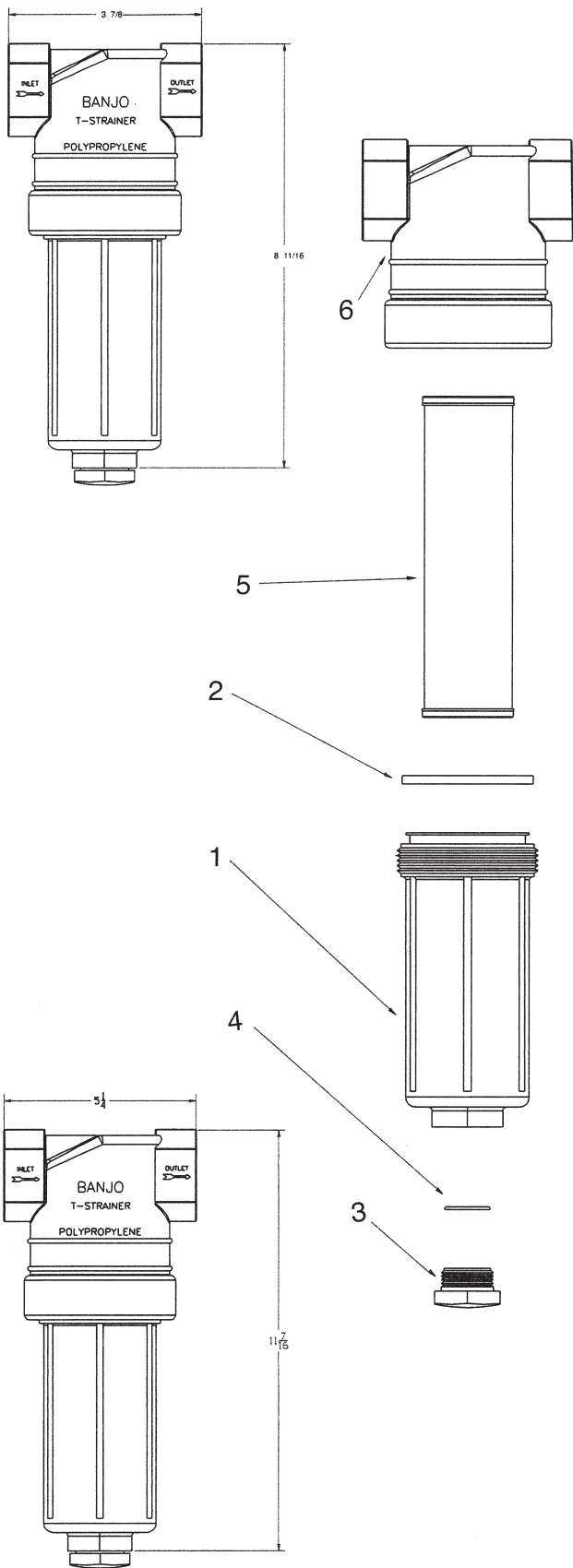


Strainers



Replacement Parts - 3/4" & 1" Poly "T" Strainer

ITEM	DESCRIPTION	QTY.	PART #
5	16 mesh screen (fits 3/4" & 1" "T" strainer)	1	BALST116
5	30 mesh screen (fits 3/4" & 1" "T" strainer)	1	BALST130
5	50 mesh screen (fits 3/4" & 1" "T" strainer)	1	BALST150
5	80 mesh screen (fits 3/4" & 1" "T" strainer)	1	BALST180
5	100 mesh screen (fits 3/4" & 1" "T" strainer)	1	BALST1100
N/S	3/4" poly "T" strainer head, bowl & gasket	1	BALST075HB
6	3/4" poly "T" strainer head	1	BALST075H
N/S	1" poly "T" strainer head, bowl & gasket	1	BALST100HB
6	1" poly "T" strainer head	1	BALST100H
1	Poly "T" strainer bowl (fits 3/4" & 1")	1	BALST100B
2	Poly "T" strainer gasket (fits 3/4" & 1")	1	BALST100G
2	Poly "T" strainer gasket (fits 3/4" & 1") FKM (viton type)	1	BALST100GV
4	O-ring for clean-out plug - EPDM	1	BAUV15163
3	Clean-out plug - 1/2"	1	BA12777
4	O-ring for clean-out plug - FKM (viton type)		BAUV15163V

Replacement Parts - 1 1/4" & 1 1/2" Poly "T" Strainer

ITEM	DESCRIPTION	QTY.	PART #
5	16 mesh screen (fits 1 1/4" & 1 1/2" "T" strainer)	1	BALST1516
5	30 mesh screen (fits 1 1/4" & 1 1/2" "T" strainer)	1	BALST1530
5	50 mesh screen (fits 1 1/4" & 1 1/2" "T" strainer)	1	BALST1550
5	80 mesh screen (fits 1 1/4" & 1 1/2" "T" strainer)	1	BALST1580
5	100 mesh screen (fits 1 1/4" & 1 1/2" "T" strainer)	1	BALST15100
N/S	1 1/4" poly "T" strainer head, bowl & gasket	1	BALST125HB
6	1 1/4" poly "T" strainer head	1	BALST125H
N/S	1 1/2" poly "T" strainer head, bowl & gasket	1	BALST150HB
6	1 1/2" poly "T" strainer head	1	BALST150H
1	Poly "T" strainer bowl (fits 1 1/4" & 1 1/2")	1	BALST150B
2	Poly "T" strainer gasket (fits 1 1/4" & 1 1/2")	1	BALST150G
2	Poly "T" strainer gasket (fits 1 1/4" & 1 1/2") FKM (viton type)	1	BALST150GV
3	Clean-out plug	1	BALSQ200PL
4	O-ring for clean-out plug - EPDM	1	BALSQ200R
4	O-ring for clean-out plug - FKM (viton type)		BALSQ200RV