

# Liquid Fertilizer Pumps



## CDS-John Blue Centrifugal Transfer Pumps - Pedestal Mount

DESCRIPTION	Max. Cap. GPM	Max. Pressure PSI	Max. Speed RPM	Max. Power HP	Inlet & Outlet FPT	Part #
2" self-priming	152	42	3500	5	2"	JBSP3220P
3" self-priming	308	65	3500	10	3"	JBSP3320P

## CDS-John Blue Centrifugal Transfer Pumps for Gas Engine Mounting

DESCRIPTION	Part #
3" Gas mount pump	JBSP3320

## CDS-John Blue Centrifugal Transfer Pumps for Electric Motor Mounting

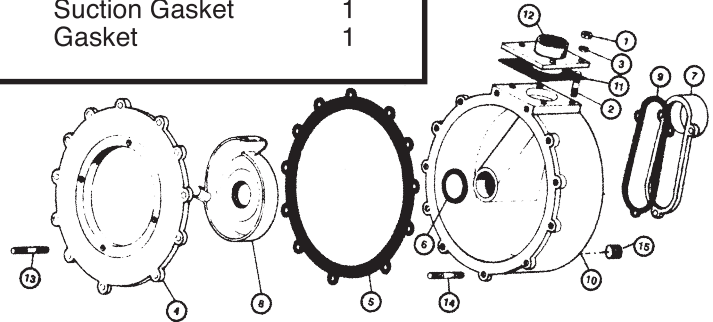
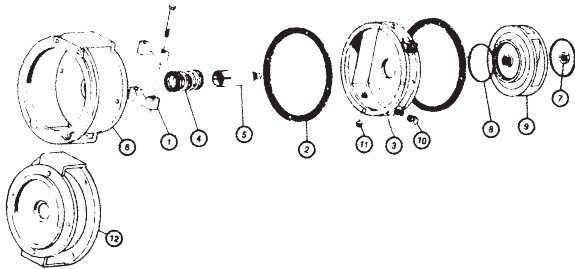
DESCRIPTION	Part #
3" Electric motor pump	JBSP3320E

### STANDARD FEATURES:

- Patented Vac-U-Seal impeller design creates a vacuum between the impeller and mechanical seal. Lack of pressure on the seal face minimizes seal wear and results in a longer seal life.
- Double wet seal design provides for continuous lubrication of the seal faces. This wet seal design allows the pump to be run dry for extended periods with no damage to the mechanical seal faces.
- Closed impeller design minimizes thrust loading on the drive motor extending the life of the drive motor. Impeller wear actually increases performance.
- Extra thick cast walls provide extra strength and extend the life of the unit due to abrasion and corrosion.

### Repair kit for SP3320 – JB103278 includes:

JB43005	Double seal	1
JB11015201	Annular seal	2
JBS3638	Gasket	2
JBS3641	Large Gasket	1
JBS3656	Discharge gasket	1
JBS3654	Suction Gasket	1
JBS3648	Gasket	1



### Parts - Double Seal - 3" Pump

#	DESCRIPTION	QTY.	Part #
1	Clamp assembly	1	JBS3608
2	Gasket, seal	2	JBS3638
3	Reservoir (w/Serial # above 9920)	1	JB10203501
4	Dble seal ass'ly (Serial # above 9920)	1	JB43005
4	Double seal assembly	1	JB43017
5	Shaft impeller	1	JBS3646
5	Shaft impeller, 1" for BS model pump	1	JB11452401
6	Adaptor - gas engine (Ser.# above 9920)	1	JB10218901
6	Adaptor - gas engine BS model pumps	1	JB11452301
7	Lock nut 3/4", 16 left hand thread	1	JBS3649
8	Annular seal	2	JB11015201
9	Impeller (Serial # above 9920)	1	JB10203701
10	View window	1	JBS3555
10	View window - Pyrex	1	JBS3555P
11	Plugs	3	JB95019
12	Adaptor/Electric Motor (Ser.# above 9920)	1	JB10219001

### Parts - 3" Self Priming Pumps

#	DESCRIPTION	QTY.	Part #
1	Nut	23	JBS3557
2	Stud	7	JBS3561
3	Lock washer	23	JBS3562
4	Housing, Cover	1	JBS3640
5	Gasket	1	JBS3641
6	Gasket	1	JBS3648
7	Suction Flange	1	JBS3652
8	Scroll plate (Ser. # above 9920)	1	JB10203601
9	Gasket, suction flange	1	JBS3654
10	Housing	1	JBS3655
11	Gasket, discharge flange	1	JBS3656
12	Flange, 3" F.P.T.	1	JBS3657
13	Stud	4	JBS3664
14	Stud	10	JBS3666
14	Stud	2	JBS3597
15	Pipe plug	1	JB95019
16	1/4" x 3/4" Roll pin - Stainless	2	JBL4135