

AI3070 TEEJET®

AIR INDUCTION DUAL PATTERN FLAT SPRAY TIPS

The AI3070 TeeJet dual flat spray tip, utilizing a patent-pending design, provides two spray patterns at complementary angles of 30° and 70° from vertical. The leading pattern provides coverage of the rear of the crop and penetration for coverage within the canopy. The trailing pattern provides thorough coverage across the top of the crop canopy. The AI3070 is ideal for fungicide application and disease control in cereal crops.

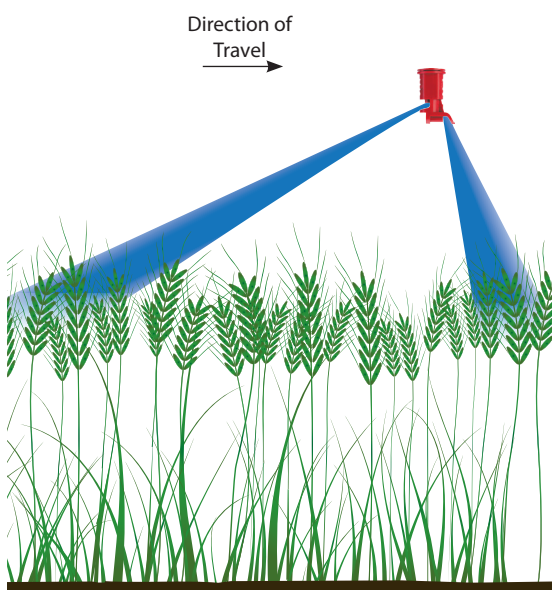


AI3070 Features & Benefits

- AI3070 produces two wide angle, flat spray patterns for uniform coverage in broadcast applications
- 30° forward tilted spray penetrates dense crop canopies, while the backward tilted 70° spray maximizes coverage of the crop seed head
- Drift resistant drops are produced through the use of a venturi air aspirator
- Large round free passages minimize clogging
- All acetal construction for excellent chemical and wear resistance
- Removable pre-orifice for fast and easy cleaning
- Automatic alignment with the use of CP98578-1-NY cap and 98579-1-NYR cap and gasket
- Suggested spray pressure range of 1.5 - 6 bar (20-90 PSI)

Typical Applications



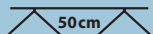
- Excellent penetration and seed head coverage for fungicide spraying on cereal crops



SELECTION GUIDE

CONTACT PRODUCT	SYSTEMIC PRODUCT	DRIFT MANAGEMENT
EXCELLENT	EXCELLENT	VERY GOOD

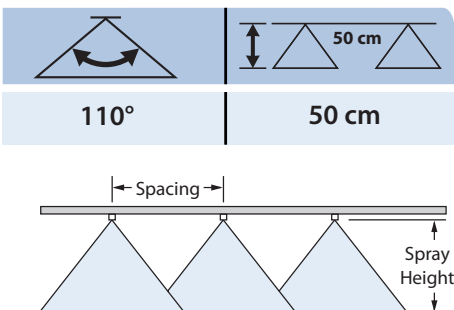
AI3070 TEEJET® AIR INDUCTION DUAL PATTERN FLAT SPRAY TIPS

	 bar	DROP SIZE	CAPACITY ONE NOZZLE IN l/min	l/ha 												
				4 km/h	5 km/h	6 km/h	7 km/h	8 km/h	10 km/h	12 km/h	16 km/h	18 km/h	20 km/h	25 km/h	30 km/h	35 km/h
AI3070-015VP (100)	1.5	VC	0.42	126	101	84.0	72.0	63.0	50.4	42.0	31.5	28.0	25.2	20.2	16.8	14.4
	2.0	C	0.48	144	115	96.0	82.3	72.0	57.6	48.0	36.0	32.0	28.8	23.0	19.2	16.5
	3.0	C	0.59	177	142	118	101	88.5	70.8	59.0	44.3	39.3	35.4	28.3	23.6	20.2
	4.0	M	0.68	204	163	136	117	102	81.6	68.0	51.0	45.3	40.8	32.6	27.2	23.3
	5.0	M	0.76	228	182	152	130	114	91.2	76.0	57.0	50.7	45.6	36.5	30.4	26.1
	6.0	M	0.83	249	199	166	142	125	99.6	83.0	62.3	55.3	49.8	39.8	33.2	28.5
AI3070-02VP (100)	1.5	XC	0.56	168	134	112	96.0	84.0	67.2	56.0	42.0	37.3	33.6	26.9	22.4	19.2
	2.0	VC	0.65	195	156	130	111	97.5	78.0	65.0	48.8	43.3	39.0	31.2	26.0	22.3
	3.0	C	0.79	237	190	158	135	119	94.8	79.0	59.3	52.7	47.4	37.9	31.6	27.1
	4.0	C	0.91	273	218	182	156	137	109	91.0	68.3	60.7	54.6	43.7	36.4	31.2
	5.0	M	1.02	306	245	204	175	153	122	102	76.5	68.0	61.2	49.0	40.8	35.0
	6.0	M	1.12	336	269	224	192	168	134	112	84.0	74.7	67.2	53.8	44.8	38.4
AI3070-025VP (100)	1.5	XC	0.70	210	168	140	120	105	84.0	70.0	52.5	46.7	42.0	33.6	28.0	24.0
	2.0	VC	0.81	243	194	162	139	122	97.2	81.0	60.8	54.0	48.6	38.9	32.4	27.8
	3.0	C	0.99	297	238	198	170	149	119	99.0	74.3	66.0	59.4	47.5	39.6	33.9
	4.0	C	1.14	342	274	228	195	171	137	114	85.5	76.0	68.4	54.7	45.6	39.1
	5.0	C	1.28	384	307	256	219	192	154	128	96.0	85.3	76.8	61.4	51.2	43.9
	6.0	M	1.40	420	336	280	240	210	168	140	105	93.3	84.0	67.2	56.0	48.0
AI3070-03VP (50)	1.5	XC	0.83	249	199	166	142	125	99.6	83.0	62.3	55.3	49.8	39.8	33.2	28.5
	2.0	XC	0.96	288	230	192	165	144	115	96.0	72.0	64.0	57.6	46.1	38.4	32.9
	3.0	C	1.18	354	283	236	202	177	142	118	88.5	78.7	70.8	56.6	47.2	40.5
	4.0	C	1.36	408	326	272	233	204	163	136	102	90.7	81.6	65.3	54.4	46.6
	5.0	C	1.52	456	365	304	261	228	182	152	114	101	91.2	73.0	60.8	52.1
	6.0	C	1.67	501	401	334	286	251	200	167	125	111	100	80.2	66.8	57.3
AI3070-04VP (50)	1.5	UC	1.12	336	269	224	192	168	134	112	84.0	74.7	67.2	53.8	44.8	38.4
	2.0	XC	1.29	387	310	258	221	194	155	129	96.8	86.0	77.4	61.9	51.6	44.2
	3.0	VC	1.58	474	379	316	271	237	190	158	119	105	94.8	75.8	63.2	54.2
	4.0	VC	1.82	546	437	364	312	273	218	182	137	121	109	87.4	72.8	62.4
	5.0	C	2.04	612	490	408	350	306	245	204	153	136	122	97.9	81.6	69.9
	6.0	C	2.23	669	535	446	382	335	268	223	167	149	134	107	89.2	76.5
AI3070-05VP (50)	1.5	UC	1.39	417	334	278	238	209	167	139	104	92.7	83.4	66.7	55.6	47.7
	2.0	XC	1.61	483	386	322	276	242	193	161	121	107	96.6	77.3	64.4	55.2
	3.0	VC	1.97	591	473	394	338	296	236	197	148	131	118	94.6	78.8	67.5
	4.0	VC	2.27	681	545	454	389	341	272	227	170	151	136	109	90.8	77.8
	5.0	C	2.54	762	610	508	435	381	305	254	191	169	152	122	102	87.1
	6.0	C	2.79	837	670	558	478	419	335	279	209	186	167	134	112	95.7

Note: Always double check your application rates. Tabulations are based on spraying water at 21°C.



OPTIMUM SPRAY HEIGHT



CROSS SECTION VIEW

